



The First in Synthetics®

Dual Remote Filtration System

Oil filtration is critical to engine life. Abrasive particles in dirty oil can quickly destroy critical components and ruin precision clearances in an engine if not removed through filtration. Today's engines are designed with smaller, lower-capacity oil filters, which have less capacity and can lead to reduced filtration effectiveness. The AMSOIL Dual Remote Oil Filtration System is designed to provide superior filtration efficiency, increased oil capacity and improved oil filter accessibility.

Superior Filtration Efficiency

A vehicle's regular full-flow oil filter requires all the oil pumped by the engine to pass quickly through it before reaching the engine. However, due to the high rate of flow, the ability of a full-flow filter to remove damaging particles smaller than 20 microns is limited. Studies have shown that more than 60 percent of all engine wear is caused by particles in the 5-20 micron range.

The AMSOIL Dual Remote Filtration System combines an Ea® Bypass Filter and Ea Full-Flow Filter to clean engine oil more thoroughly than standard full-flow filtration systems. AMSOIL Ea Bypass Oil Filters are 98.7 percent effective removing particles down to two microns, keeping the oil free of virtually all wear-causing particles.

Increased Oil Capacity

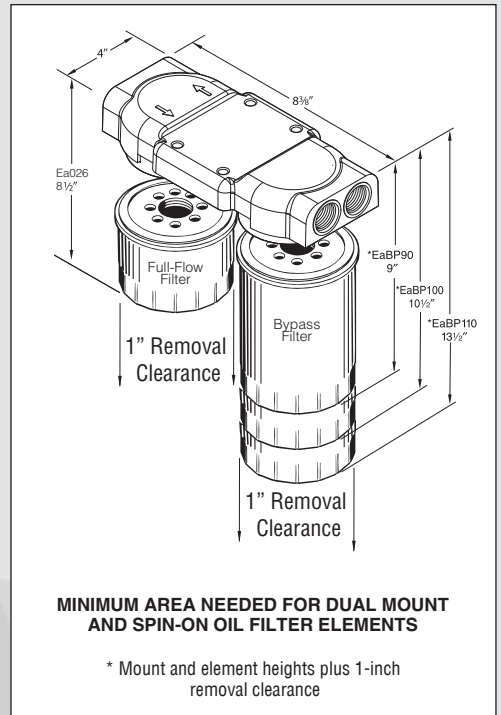
The trend to downsize engines over the past several years has significantly reduced oil sump capacities. The dual-remote system can increase oil sump capacity up to 50 percent. By adding more oil to the system, less strain is put on the oil and its additives. This helps increase engine and oil life.

Improved Accessibility

The dual remote mount is designed to make filter changes convenient; it can be easily installed in an accessible area of the engine compartment. Refer to the installation instructions for proper mounting locations.

Increased Filter Size

Many auto manufacturers have been using smaller full-flow filters to reduce costs. But reducing a filter's size severely limits its service life and contaminant-holding capacity. The dual remote mount moves the oil filter away from a tight-fitting area of the engine compartment into one where a much larger full-flow filter can be used. A larger full-flow filter allows for better oil flow, increases dirt-holding capacity and provides longer service life than a smaller filter.



All trademarked names and images are the property of their respective owners and may be registered marks in some countries. No affiliation or endorsement claim, express or implied, is made by their use. All products advertised here are developed by AMSOIL for use in the applications shown.

BYPASS SYSTEM

BMK23

RECOMMENDED FILTERS(1) EaBP90, EaBP100 or EaBP110 and
(1) EaO26

BMK26

(1) EaBP100* and (1) EaO26

BMK27

(1) EaBP100* and (1) EaO26

BMK28

(1) EaBP100* and (1) EaO26

APPLICATIONS

Automotive and light-duty trucks
Spin-on adapter and filters sold separately

6.9L, 7.3L and 7.5L International** diesels
Spin-on adapter and filters included

Duramax**/Isuzu** 6.6L diesels
Spin-on adapter and filters included

6.7L Ford** diesels
Spin-on adapter and filters included

*EaBP90 and EaBP110 can also be used depending on mounting location constraints.

INSTALLATION TIPS**Special Fittings**

Angled fittings are available from AMSOIL INC. These may make certain installations easier. Ninety-degree (BK21) and 45-degree (BK22) fittings can be ordered for attaching oil lines to the spin-on adapter and remote mount. A petcock valve (BK13) or deluxe oil sampling valve (BP145) make oil sampling simple. If installing an oil sampling valve, be sure to use Loc-Tite* to ensure the fitting won't leak.

Spin-On Filter Adapters

The Dual Remote Filtration System requires the use of a spin-on filter adapter. The spin-on adapter provides the link from the bypass filter mount to the full-flow filter thread on the engine block. Spin-on adapters are required for installation of a BMK23 system and are sold separately. BMK26, BMK27 and BMK28 systems include the appropriate spin-on adapter. If you have questions regarding the installation of an AMSOIL Bypass Filtration System, call the AMSOIL Technical Services Department at (715) 399-TECH.

Extra Oil Hose

Twelve feet of hose is supplied with each system (BMK23, BMK26, BMK27, BMK28). If necessary, additional hose is available from AMSOIL by the foot (BP350). You can also buy a high-quality hydraulic hose at your local hose supplier (although this will void the AMSOIL warranty). Hose other than that supplied by AMSOIL may not be compatible with the hose fittings, which could result in equipment damage.

AMSOIL PRODUCT WARRANTY

AMSOIL products are backed by a Limited Liability Warranty. For complete information visit www.amsoil.com/warranty.aspx.

THREAD ADAPTERS

<i>If your equipment uses this AMSOIL Filter</i>	<i>This is the thread used on that equipment</i>	<i>Use this adapter</i>
EAO11	M22 x 1.5	BK299
EAO15	3/4 - 16	BK295
EAO17	M22 x 1.5	BK299
EAO23	M18 x 1.5	BK297
EAO24	13/16 - 16	BK302
EAO26	3/4 - 16	BK295
EAO34	3/4 - 16	BK295
EAO42	3/4 - 16	BK295
EAO52	13/16 - 16	BK302
EAO59	13/16 - 16	BK302
EAO64	13/16 - 16	BK296
EAO98	1 - 16	BK300
EAO99	1 1/2 - 16	BK301
EA15K29	M18 x 1.5	BK297
EA15K32	13/16 - 16	BK296
EA15K50	M22 x 1.5	BK299
EA15K51	3/4 - 16	BK295
EA15K53	3/4 - 16	BK295
2008 – PRESENT CHEVROLET** 1500 & 2500 GAS ENGINES	M22 x 1.5	BK310

If you don't see your AMSOIL Ea Oil Filter in the table, use the BMK21 Bypass System.

**All trademarked names and images are the property of their respective owners and may be registered marks in some countries. No affiliation or endorsement claim, express or implied, is made by their use. All products advertised here are developed by AMSOIL for use in the applications shown.



AMSOIL products and Dealership information are available from your local full-service AMSOIL Dealer.